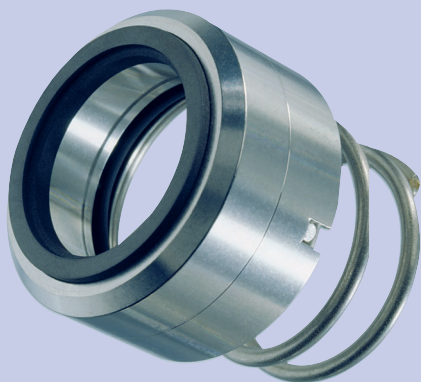


MECHANICAL SEAL
SPBA



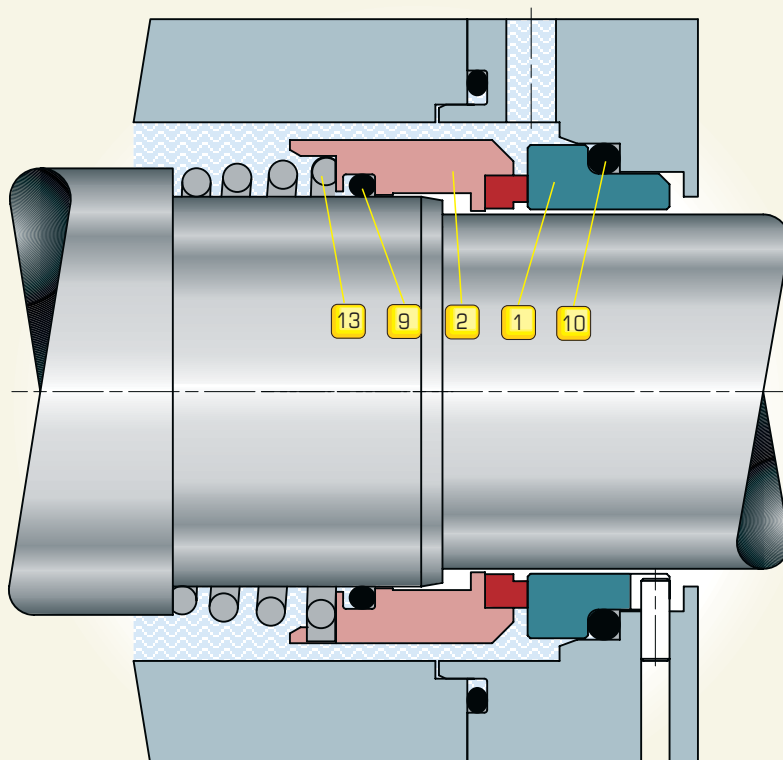
CAT007 ENG REV 01.05

Mass produced mechanical seals are widely used in pumps and machinery operating at medium and high pressures.

The *SPBA* is a single component seal, with a type A pinned stationary seat, pressure balanced, manufactured in accordance with UNI EN 12756 (ex DIN 24960).

It is manufactured with a tapered helical spring with deep coils to reduce the risk of clogging in particularly dirty and/or viscous liquids. Dependent on the direction of shaft rotation it can run either clockwise or anticlockwise. It is more forgiving on installation errors.

**MECHANICAL SEAL
SPBA**



ELEMENTS:

- 1** STATIONARY SEAT
- 2** ROTARY FACE
- 9** ROTARY FACE "O" RING
- 10** STATIONARY SEAT "O" RING
- 13** SPRING

OPERATING LIMITS:

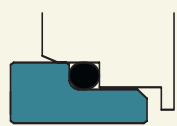
DIAMETER: (mm)	SPEED: (m/sec)	PRESSURE: (bar g)	TEMPERATURE: (°C)
75	20	50	+220
↑ 20	↑ 0	↑ 0	↑ -50

CHARACTERISTIC:

- SINGLE
- MONO-DIRECTIONAL
- BALANCED
- UNI EN 12756
- DIRTY & VISCOUS LIQUIDS
- HIGH POSITIONING COMPENSATION

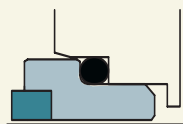
STATIONARY SEAT: 1

SOLID TYPE A



Cr-Mo Steel: **Y1**
Silicon Carbide: **U31**

TYPE A WITH INSERT



AISI 316+tungsten Carbide: **K22**

STATIONARY SEAT "O" RING: 10

- Nitrile Rubber: **G**
- Ethylene Propylene: **D**
- Fluoroelastomer: **V**
- Perfluoroelastomer: **G711**

● PTFE: **T**

ROTARY FACE: 2

WITH INSERT



AISI 316+Graphite Resins impr.: **Z32**
AISI 316+Silicon Carbide: **U32**
AISI 316+Tungsten Carbide: **K22**

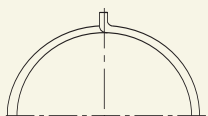
ROTARY FACE "O" RING: 9

- Nitrile Rubber: **G**
- Ethylene Propylene: **D**
- Fluoroelastomer: **V**
- Perfluoroelastomer: **G711**

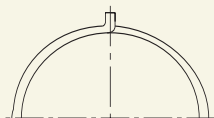
● PTFE with AISI 316 spring: **T3**

SPRING: 13

AISI 316: **E**



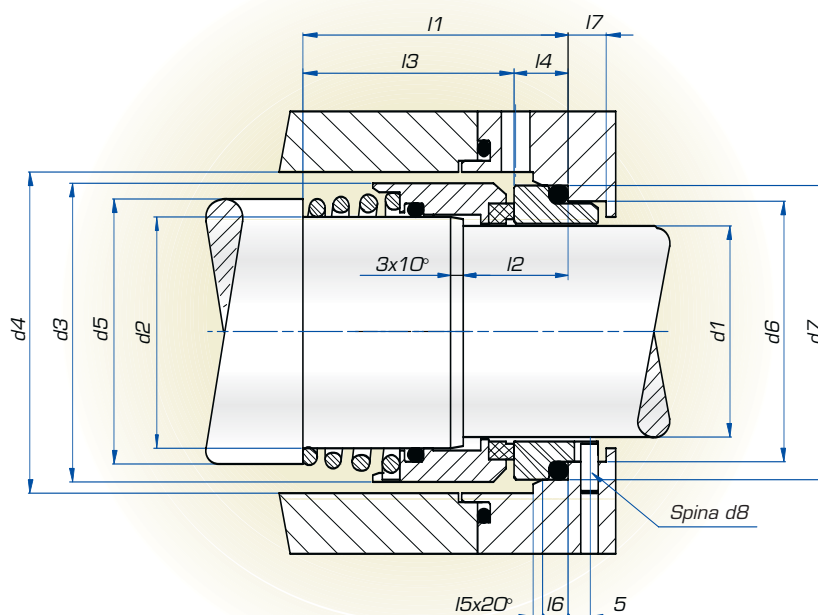
RIGHT SPRING R
Clockwise rotation looking the seal from the stationary ring side



LEFT SPRING L
Anticlockwise rotation looking the seal from the stationary ring side

OTHER METAL PARTS:

AISI 316: **E**



Seal Diameter	d1	d2	d3	d4	d5	d6	d7	d8	l1	l2	l3	l4	l5	l6	l7
20	20	24	38	40	29	29	35	3	53	20	43	10	2	5	9
22	22	26	40	42	31	31	37	3	53	20	43	10	2	5	9
24	24	28	42	44	33	33	39	3	55	20	45	10	2	5	9
25	25	30	44	46	35	34	40	3	55	20	45	10	2	5	9
28	28	33	47	49	39	37	43	3	55	20	45	10	2	5	9
30	30	35	49	51	41	39	45	3	55	20	45	10	2	5	9
32	32	38	54	58	44	42	48	3	57	20	47	10	2	5	9
33	33	38	54	58	44	42	48	3	57	20	47	10	2	5	9
35	35	40	56	60	47	44	50	3	57	20	47	10	2	5	9
38	38	43	59	63	50	49	56	4	60	23	49	11	2	6	9
40	40	45	61	65	52	51	58	4	60	23	49	11	2	6	9
43	43	48	64	68	55	54	61	4	60	23	49	11	2	6	9
45	45	50	66	70	58	56	63	4	61	23	50	11	2	6	9
48	48	53	69	73	61	59	66	4	61	23	50	11	2	6	9
50	50	55	71	75	63	62	70	4	63	25	50	13	2,5	6	9
53	53	58	78	83	67	65	73	4	68	25	55	13	2,5	6	9
55	55	60	80	85	69	67	75	4	68	25	55	13	2,5	6	9
58	58	63	83	88	72	70	78	4	70	25	57	13	2,5	6	9
60	60	65	85	90	74	72	80	4	70	25	57	13	2,5	6	9
63	63	68	88	93	77	75	83	4	70	25	57	13	2,5	6	9
65	65	70	90	95	80	77	85	4	74	25	61	13	2,5	6	9
70	70	75	99	104	85	83	92	4	76	28	61	15	2,5	7	9
75	75	80	104	109	90	88	97	4	76	28	61	15	2,5	7	9

Dimensions subject to modifications without notice.

Example:

To order the seals shown on this page for shaft 55 mm, left spring and material shown in the table below:

2	1	9	10	13
Z32	U31	D	D	E

The code will be: SPBA055L - Z32U31DEE ⁽³⁾

NOTES:

- 1) The material shown on this page is only part of the available range, for other products stock items, please call our Technical Sales Office.
- 2) The material should be chosen according to the operating conditions. All queries should be sent to our Technical Sales Office.
- 3) When the material of the seal on the stationary seat "O" ring is the same as the seal on the rotary face "O" ring the product code is not repeated.