

Description

EFC and **EF1C** seals are external seals designed for the more critical applications on rotating equipment where the process fluids are highly corrosive and the metallic parts of the seal would normally be exposed to these harsh chemicals.

EFC and **EF1C** seals are constructed from the most modern materials and selected for their resistance to chemical attack. For this reason, **EFC** and **EF1C** seals have superior mechanical characteristics to seals constructed using more conventional materials.

Following laboratory tests and multiple field trials on very demanding applications, **EFC** and **EF1C** seals have been meticulously designed to offer the best solution for sealing acidic products.



E1FC



Advantages

Dry running option.

More safety against sudden ruptures compared to P.T.F.E. bellows seals.

Seal Refurbishment programme.

Easy to assemble

Flanged Stationary face is interchangeable with the most diverse seal faces available.

Materials

Stationary Ring: Silicon Carbide

Rotary Ring : Fluibi* or Silicon Carbide

Seal Body: Titanium (EF1C) - P.V.D.F. (EFC)

Springs: Hastelloy C

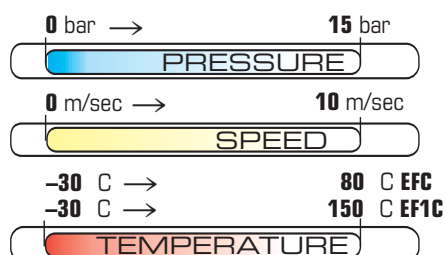
Rotary Ring ORing: Fluoroelastomer, Perfluoroelastomer, EPDM etc

Stationary Ring Gasket: P.T.F.E.

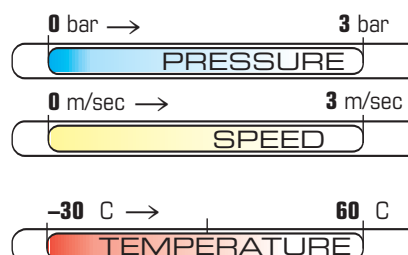
* FLUIBI: A superpolymer which, though having chemical compatibility identical to that of P.T.F.E., has superior mechanical characteristics. This material showed no signs of overheating or significant wear when tested and utilized "dry running," or when used on abrasive crystals.

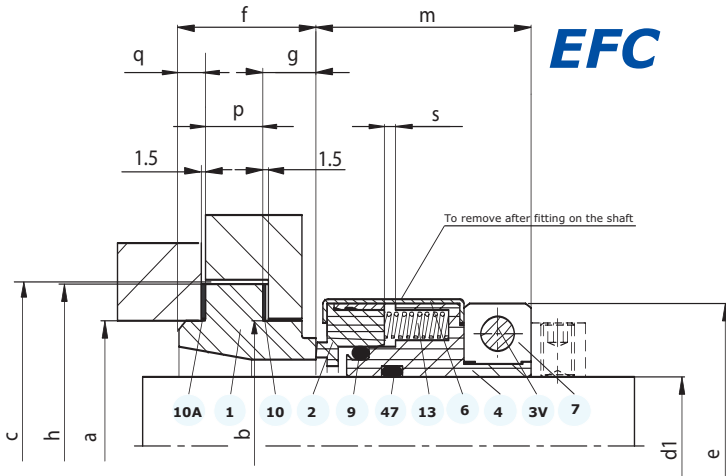
Operating Conditions

Wet running



Dry running

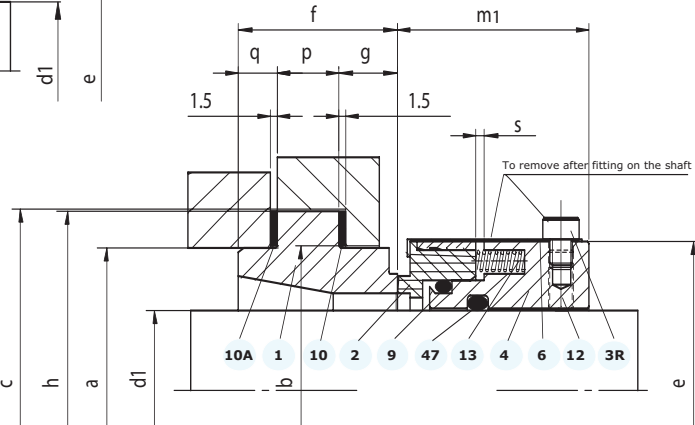




EFC

Legend:

- 1 Stationary Ring
- 2 Rotary Ring
- 3V Screw
- 3R Screw
- 4 Seal Body
- 6 Setting Plate
- 7 Driving Collar
- 9 Rotary Ring Gasket
- 10 Stationary Ring Gasket
- 10A Stationary Ring Gasket
- 12 Setscrew
- 13 Spring
- 47 Seal Body Gasket



EF1C

	d1 Inches	d1 mm	a ±0.05	b +0.1	c H11	e	f	g	h	m ±0.2	m1 ±0.2	p	q	s
078	7/8"	20 22	39.69	40.5	51	50	19.3	7.5	50	39	/	8	3.8	2
100	1"	24 25	42.86	43.5	54	52	19.3	7.5	53	39	35	8	3.8	2
118	1 1/8"	28	50.8	51.5	65	57	31	12	64	45	45	11	8	2
114	1 1/4"	30 32	53.98	55	68	65	31	12	67	45	45	11	8	2
138	1 3/8"	33 35	57.15	58	71	65	31	12	70	45	45	11	8	2
112	1 1/2"	38	63.5	64.5	78	67	31	12	77	45	45	11	8	2
158	1 5/8"	40	66.68	67.5	81	72	31	12	80	45	45	11	8	2
134	1 3/4"	43 45	69.85	71	84	77	31	12	83	45	45	11	8	2
178	1 7/8"	/	73.03	74	87	77	31	12	86	45	45	11	8	2
200	2"	48 50	79.38	80	97*	82	37	13.5	96	45	45	14.5	9	2
218	2 1/8"	53	82.55	83.5	100	87	37	13.5	99	45	45	14.5	9	2
214	2 1/4"	55	85.73	86.5	103	87	37	13.5	102	45	45	14.5	9	2
238	2 3/8"	58 60	88.9	89.5	106	92	37	13.5	105	45	45	14.5	9	2
212	2 1/2"	63	92.08	93	110	97	37	13.5	109	45	45	14.5	9	2
258	2 5/8"	65	95.25	96	113	97	37	13.5	112	45	45	14.5	9	2
234	2 3/4"	68 70	98.43	99	116	102	37	13.5	115	45	45	14.5	9	2