

MECHANICAL SEAL
TZKA

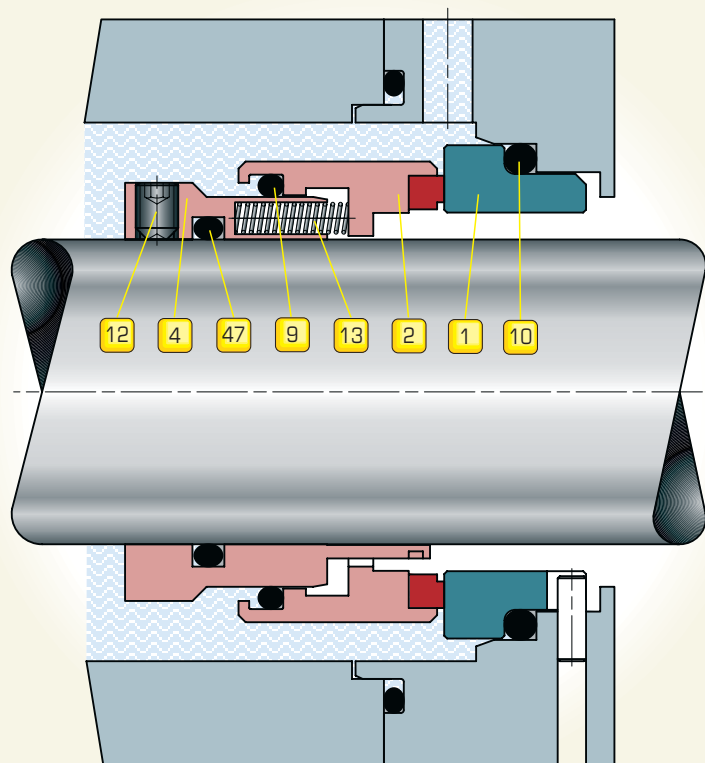


CAT009 ENG REV 01.05

The TZKA seal is a heavy-duty seal medium and high pressures. The TZKA is a single component seal, with a type A pinned stationary seat, pressure balanced, with an integral shaft sleeve, it can be fitted on parallel shafts/sleeves and it allows rotation in two directions. It is fitted with multiple springs located outside of the product, which makes it suitable for use in particularly dirty or viscous liquids. Three substantial, internal, drive lugs ensure high performance even in the case of misalignment, vibration and cavitation.



MECHANICAL SEAL
TZKA



ELEMENTS:

- 1 STATIONARY SEAT
- 2 ROTARY FACE
- 4 SEAL BODY
- 9 ROTARY FACE "O" RING
- 10 STATIONARY SEAT "O" RING
- 12 SETSCREW
- 13 SPRING
- 47 SEAL BODY GASKET

OPERATING LIMITS:

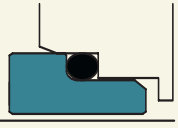
DIAMETER: (mm)	SPEED: (m/sec)	PRESSURE: (bar g)	TEMPERATURE: (°C)
200	30	100	+250
↑	↑	↑	↑
35	0	0	-100

CHARACTERISTICS:

- SINGLE
- BI-DIRECTIONAL
- BALANCED
- NON WETTED SPRING
- DIRTY & VISCOUS LIQUIDS
- CAN BE FITTED ON STRAIGHT SHAFT
- RESISTANT TO MECHANICAL STRESS
- RUN-OUT UP TO 3 mm

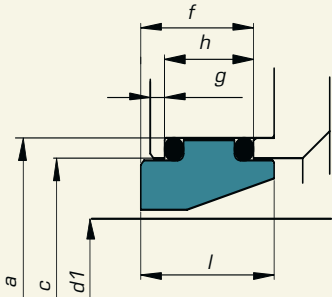
STATIONARY SEAT: 1

SOLID TYPE **A / X** (3)



Cr-Mo Steel: **Y1**
Silicon Carbide: **U31**

SOLID TYPE **G** (4)



Cr-Mo Steel: **Y1**
Silicon Carbide: **U31**

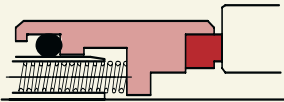
STATIONARY SEAT "O" RING: 10

- Nitrile Rubber: **G**
- Ethylene Propylene: **D**
- Fluoroelastomer: **V**
- Perfluoroelastomer: **G711**

- PTFE: **T**

ROTARY FACE: 2

WITH INSERT



AISI 316+Graphite Resins impreg.: **Z32**
AISI 316+Silicon Carbide: **U32**
AISI 316+Tungsten Carbide: **K22**

ROTARY FACE AND BODY "O" RING: 9 47

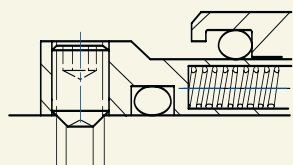
- Nitrile Rubber: **G**
- Ethylene Propylene: **D**
- Fluoroelastomer: **V**
- Perfluoroelastomer: **G711**
- Fluoroelastomer + FEP: **V2**

SPRINGS: 13

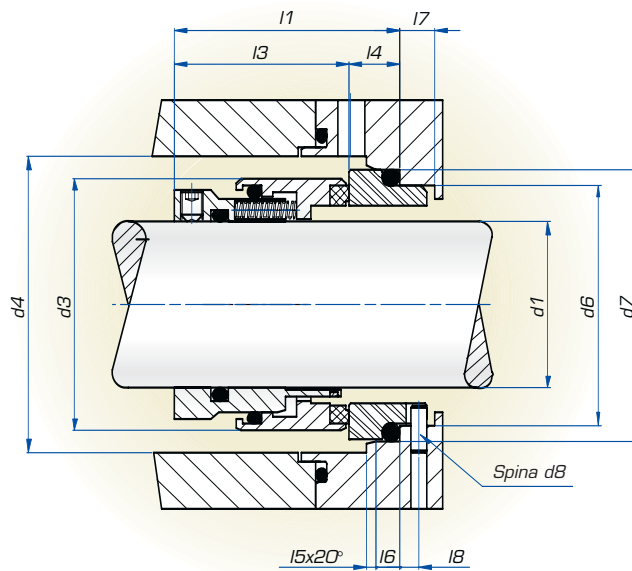
AISI 316: **E**

OTHER METAL PARTS: 4 12

AISI 316: **E**



Pressure > 10 bar (5)



Seal Diam.	d1 h6	d3	d4 min.	d6 H11	d7 H8	d8 ± 0,5	l1 ± 0,5	l3	l4	l5	l6	l7	l8	a H7	c H11	f	g	h -0,1	l
35	35	58	61	54	61	4	55	44	11	2	6	9	5	66	59,5	17	2	13,5	20
38	38	60	63	56	63	4	55	44	11	2	6	9	5	68	61,5	17	2	13,5	20
40	40	63	66	59	66	4	56	45	11	2	6	9	5	71	64,5	17	2	13,5	20
43	43	65	70	62	70	4	58	45	13	2,5	6	9	5	73	66,5	17	2	13,5	20
45	45	69	73	65	73	4	58	45	13	2,5	6	9	5	76	69,5	17	2	13,5	20
48	48	71	75	67	75	4	58	45	13	2,5	6	9	5	78	71,5	17	2	13,5	20
50	50	74	78	70	78	4	58	45	13	2,5	6	9	5	81	74,5	17	2	13,5	20
53	53	82	85	77	85	4	58	45	13	2,5	6	9	5	88	81,5	17	2	13,5	20
55	55	82	85	77	85	4	58	45	13	2,5	6	9	5	88	81,5	17	2	13,5	20
58	58	87	92	83	92	4	66,5	51,5	15	2,5	7	9	5	101	91	21,5	2,5	17	26
60	60	87	92	83	92	4	66,5	51,5	15	2,5	7	9	5	101	91	21,5	2,5	17	26
63	63	92	97	88	97	4	69,5	54,5	15	2,5	7	9	5	106	96	21,5	2,5	17	26
65	65	92	97	88	97	4	69,5	54,5	15	2,5	7	9	5	106	96	21,5	2,5	17	26
68	68	100	105	95	105	4	70	54,5	15,5	3	7	9	5	113	103	21,5	2,5	17	26
70	70	100	105	95	105	4	70	54,5	15,5	3	7	9	5	113	103	21,5	2,5	17	26
75	75	105	110	100	110	4	80	64,5	15,5	3	7	9	5	118	108	21,5	2,5	17	26
80	80	110	115	105	115	4	80	64,5	15,5	3	7	9	5	123	113	21,5	2,5	17	26
85	85	115	120	110	120	4	80	64,5	15,5	3	7	9	5	128	118	21,5	2,5	17	26
90	90	120	125	115	125	4	80	64,5	15,5	3	7	9	5	133	123	21,5	2,5	17	26
95	95	125	130	120,5	129	4	83,5	64,5	19	3	7	12	6	138	128	21,5	2,5	17	26
100	100	130	135	125,5	134	4	83,5	64,5	19	3	7	12	6	143	133	23,5	2,5	19	28
105	105	135	140	130,5	139	4	90,5	71,5	19	3	7	12	6	148	138	23,5	2,5	19	28
110	110	140	145	135,5	144	4	90,5	71,5	19	3	7	12	6	153	143	23,5	2,5	19	28
115	115	145	150	140,5	149	4	90,5	71,5	19	3	7	12	6	158	148	23,5	2,5	19	28
120	120	150	155	145,5	154	4	90,5	71,5	19	3	7	12	6	163	153	23,5	2,5	19	28
125	125	155	161	149,5	161	4	93,5	71,5	22	3	9	12	6	170	160	23,5	2,5	19	28
130	130	160	166	154,5	166	4	93,5	71,5	22	3	9	12	6	175	165	23,5	2,5	19	28
140	140	180	185	171,5	183	5	104	78	26	3	9	13	7	195	182	31	3,5	24,5	36
150	150	190	198	181,5	193	5	104	78	26	3	9	13	7	205	192	31	3,5	24,5	36
160	160	200	208	191,5	203	5	104	78	26	3	9	13	7	215	202	31	3,5	24,5	36
170	170	210	218	201,5	213	5	104	78	26	3	9	13	7	225	212	31	3,5	24,5	36
180	180	220	228	211,5	223	5	104	78	26	3	9	13	7	235	222	31	3,5	24,5	36
190	190	230	238	221,5	233	5	104	78	26	3	9	13	7	245	232	31	3,5	24,5	36
200	200	240	248	231,5	243	5	104	78	26	3	9	13	7	255	242	31	3,5	24,5	36

Example:

To order the seals shown on this page for shaft 85 mm and material shown in the table below:

2	1	9	10	47	13	4	12
K22	U31	V	V	V	E	E	

The code will be: TZKA085 - K22U31VEE (6)

NOTES:

- 1) The material shown on this page is only part of the available range, for other products stock items, please call our Technical Sales Office.
- 2) The material should be chosen according to the operating conditions. All queries should be sent to our Technical Sales Office.
- 3) For diameter up to 100 mm the product code will then be **TZKX**.
- 4) The last letter of the product code **TZKA** shows the type A stationary seat with a slot for an antirotation pin: or if a clamped stationary seat, please request type G. The product code will then be **TZKG**.
- 5) Blocking system with setscrew with the end cup-shaped in dimple shaft.
- 6) When the material of the seal on the stationary seat "O" ring is the same as the seal on the rotary face "O" ring the product code is not repeated.