

ISO  
9001

CERTIFIED GROUP

**MIP**

**NORMALIZED PUMPS**

ISO 2858 - NFE 44121 - DIN 2456

Viscous, fibrous  
and sticky liquids

**Industrial applications :**

- Paper mill
- Chemical industry
- Petrochemical industry
- Mechanical industry
- Food & agricultural industries



**ENSIVAL-MORET**

## Avantages :

- Standardized dimensions
- Front wear plate adjustable without rotor moving. (wear taking up)
- Standardization of parts for easy maintenance
- Back pull out unit, no flanges or driver dismantling
- Oversized heavy duty bearing unit
- Wide selection of shaft seals available.

## Design :

- Horizontal, centrifugal
- Axial suction, vertical discharge
- Feet under casing
- Oil lubricated ball and roller bearings
- Semi-open impellers.

## Options :

- Closed impellers (see MR-EMTECH)
- Vortex impellers (see MRA-MT)

## Shaft seals :

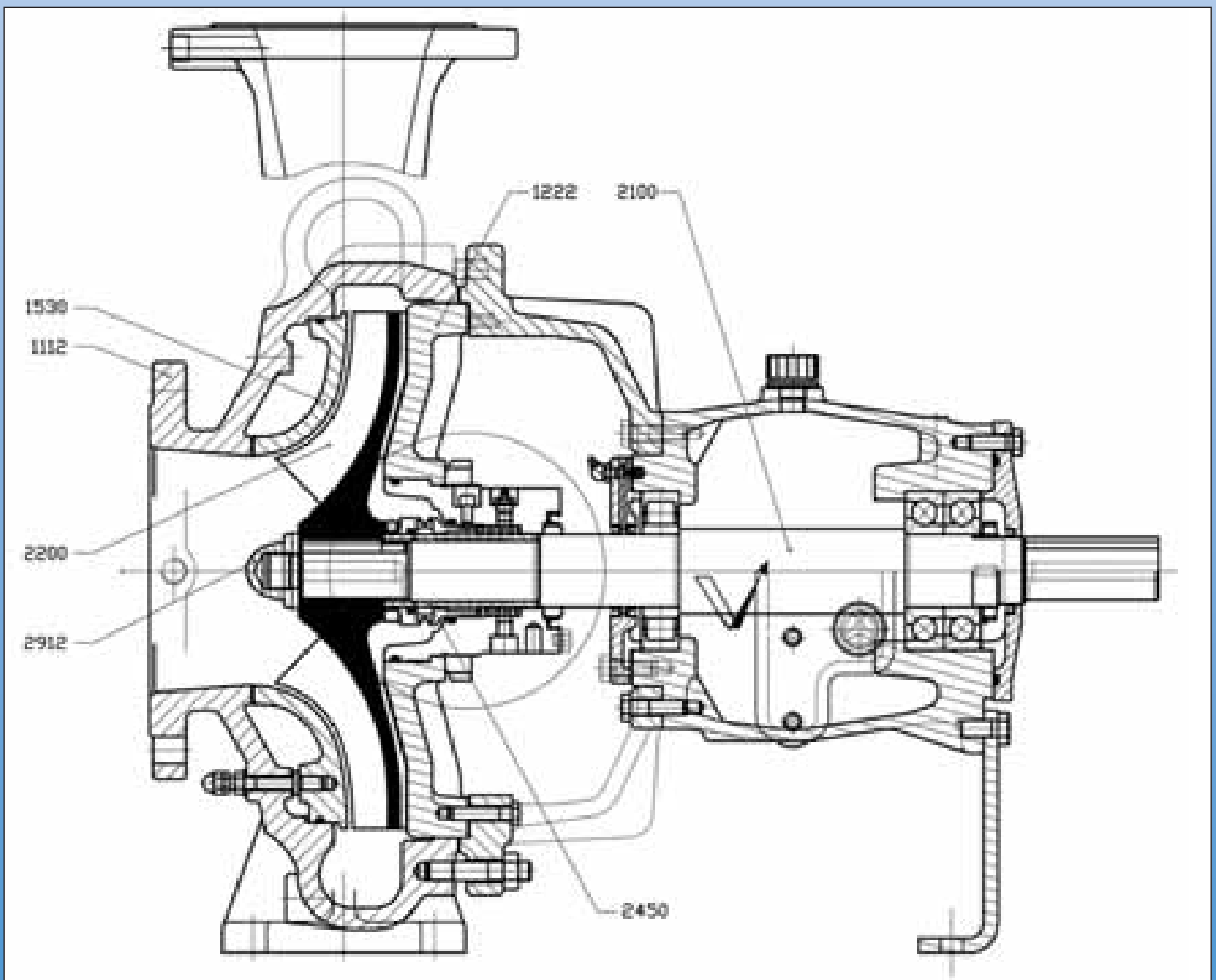
- Sealing :
  - Gland packing
  - Mechanical (simple, double, tandem, paste...)
  - Hydrodynamic
- Assembly :
  - Interchangeable housings
  - Cartridges

## Drive :

- V-belt drive, (pulley on pump shaft)
- Direct coupling with or without spacer

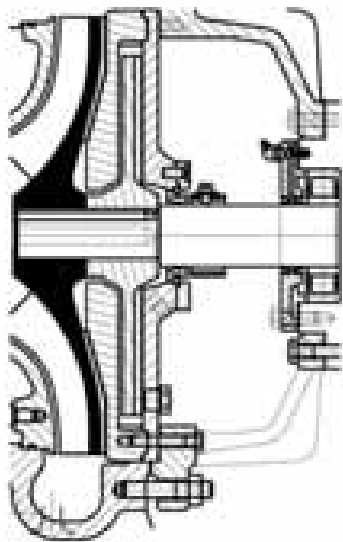
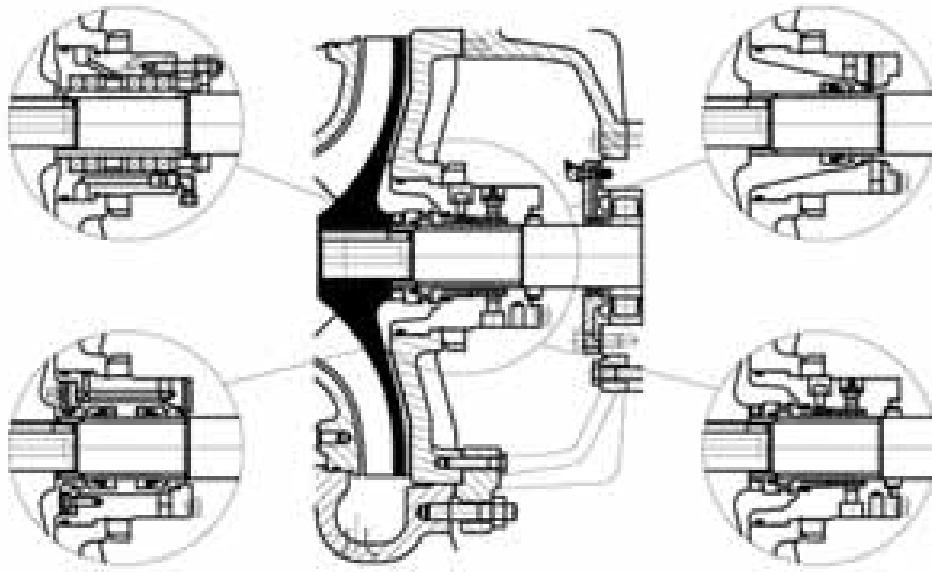
## Operating limits :

- Flow : 20 to 7000 m<sup>3</sup>/h, 90 to 30.000 USGPM
- Head : 10 to 180 m, 30 to 590 feet
- Pressure : 16 bar, 232 PSI
- Temperature: -30 to +200°C, -20 to +400°F



## A SEAL FOR EVERY APPLICATION

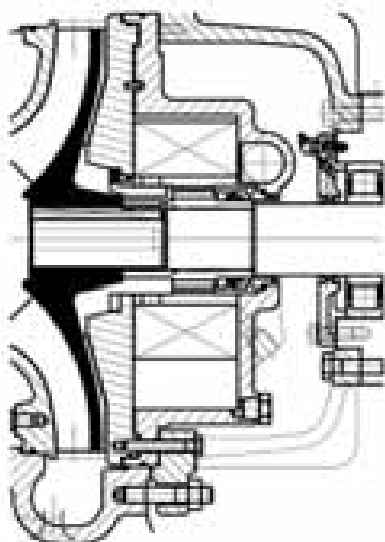
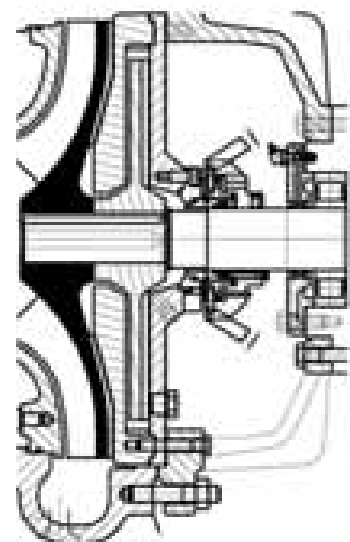
### Interchangeable housing for mechanical seals or gland packing



With barrier

### Hydrodynamic seal

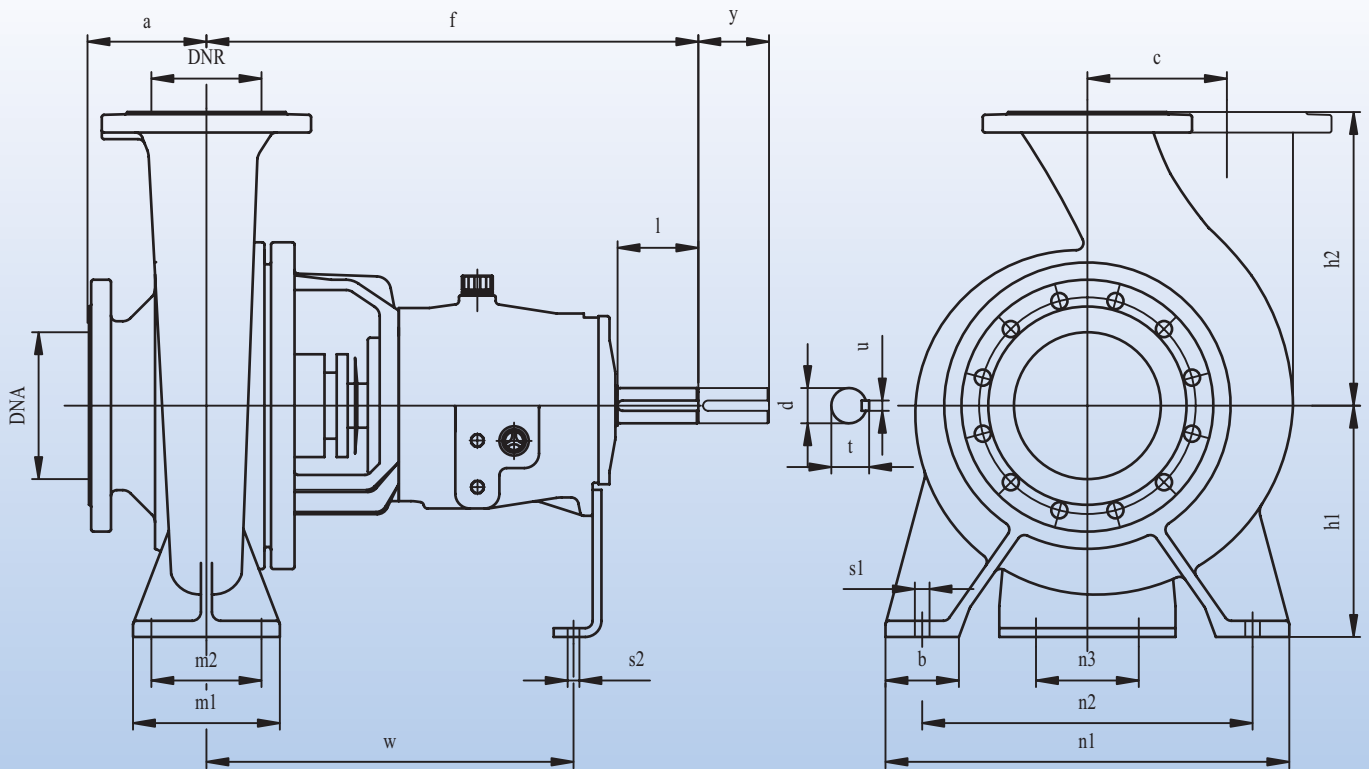
With centrifugal opening



### Integrated vacuum pump

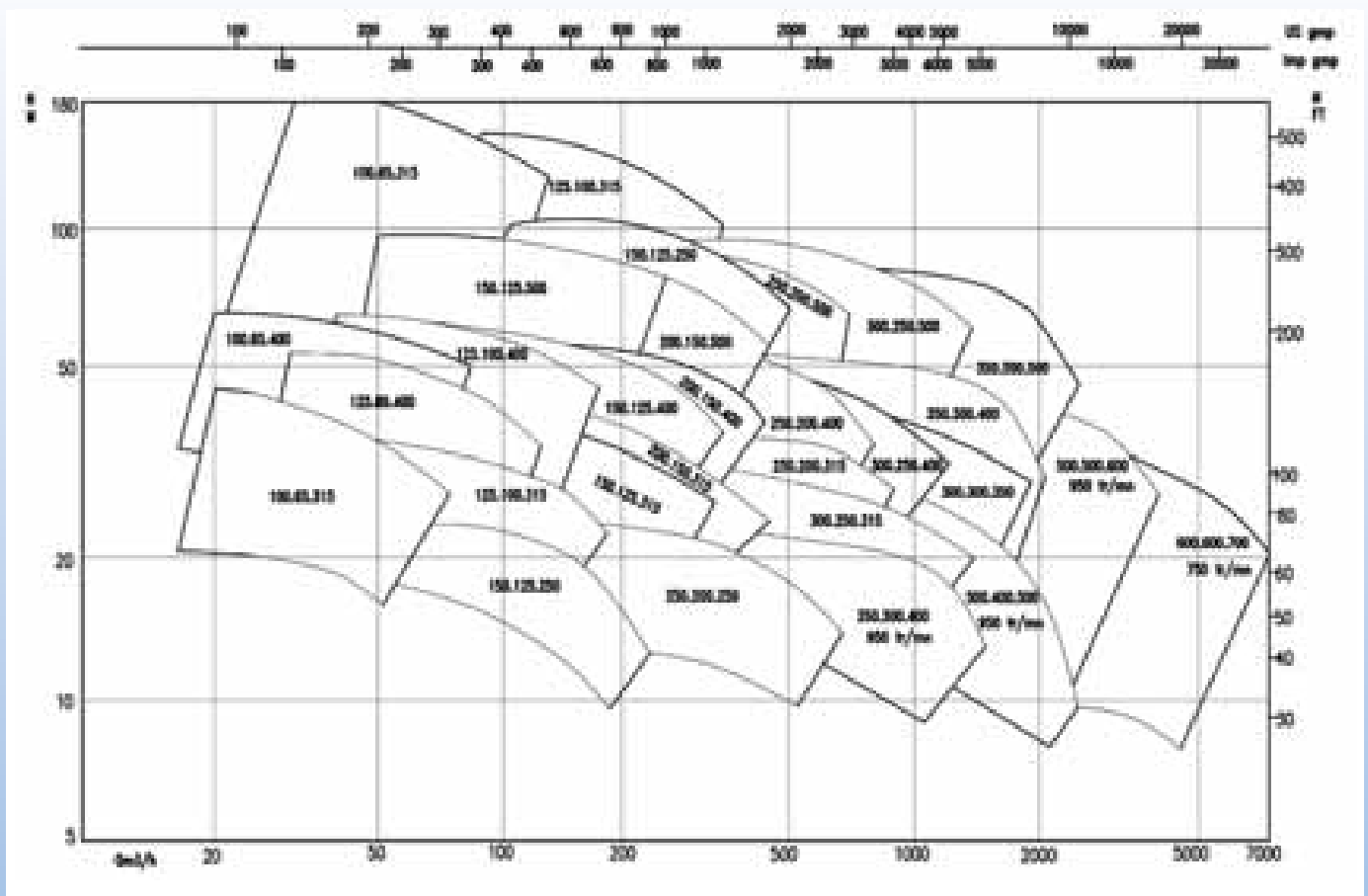
- For self-priming
- For two-phase liquids  
Up to 40% free gas

# MAIN BARE SHAFT DIMENSIONS



| Pump type   | Bearing | NP 16 Flanges |               | Pump dimensions |       |     |        |      | Main feet |     |     |     |     | Rear feet |      | Shaft end |      |     |     | Weight kg |     |       |    |     |      |
|-------------|---------|---------------|---------------|-----------------|-------|-----|--------|------|-----------|-----|-----|-----|-----|-----------|------|-----------|------|-----|-----|-----------|-----|-------|----|-----|------|
|             |         | Suction DNA   | Discharge DNR | a               | f     | h1  | h2     | c    | b         | m1  | m2  | n1  | n2  | s1        | w    | n3        | s2   | d   | l   |           | t   | u     | y  |     |      |
| 100.65.315  | 42      | 100           | 8x18          | 65              | 4x18  | 125 | 530    | 225  | 280       | -   | 80  | 160 | 120 | 400       | 315  | M16       | 370  | 110 | M12 | 42        | 110 | 45    | 12 | 140 | 160  |
| 100.65.400  | 42      | 100           | 8x18          | 65              | 8x18  | 125 | 530    | 280  | 355       | -   | 90  | 160 | 120 | 435       | 355  | M16       | 370  | 110 | M12 | 42        | 110 | 45    | 12 | 140 | 195  |
| 125.80.400  | 42      | 125           | 8x18          | 80              | 8x18  | 125 | 530    | 280  | 355       | -   | 80  | 160 | 120 | 435       | 355  | M16       | 370  | 110 | M12 | 42        | 110 | 45    | 12 | 140 | 230  |
| 125.100.315 | 42      | 125           | 8x18          | 100             | 8x18  | 140 | 530    | 250  | 315       | -   | 80  | 160 | 120 | 400       | 315  | M16       | 370  | 110 | M12 | 42        | 110 | 45    | 12 | 140 | 200  |
| 125.100.400 | 42      | 125           | 8x18          | 100             | 8x18  | 140 | 530    | 280  | 355       | -   | 100 | 200 | 150 | 500       | 400  | M20       | 370  | 110 | M12 | 42        | 110 | 45    | 12 | 140 | 260  |
| 150.125.250 | 42      | 150           | 8x18          | 125             | 8x18  | 140 | 530    | 250  | 355       | -   | 80  | 160 | 120 | 400       | 315  | M16       | 370  | 110 | M12 | 42        | 110 | 45    | 12 | 140 | 200  |
| 150.125.315 | 42      | 150           | 8x18          | 125             | 8x18  | 140 | 530    | 280  | 355       | -   | 100 | 200 | 150 | 500       | 400  | M20       | 370  | 110 | M12 | 42        | 110 | 45    | 12 | 140 | 290  |
| 150.125.400 | 42      | 150           | 8x18          | 125             | 8x18  | 140 | 528.5  | 315  | 400       | -   | 100 | 200 | 150 | 500       | 400  | M20       | 370  | 110 | M12 | 42        | 110 | 45    | 12 | 140 | 315  |
| 150.125.500 | 48      | 150           | 8x18          | 125             | 8x18  | 160 | 670    | 355  | 450       | -   | 100 | 200 | 150 | 550       | 450  | M20       | 500  | 140 | M16 | 48        | 110 | 51.5  | 14 | 140 | 400  |
| 200.150.315 | 48      | 200           | 12x22         | 150             | 8x18  | 160 | 670    | 315  | 400       | -   | 100 | 200 | 150 | 550       | 450  | M20       | 500  | 140 | M16 | 48        | 110 | 51.5  | 14 | 180 | 320  |
| 200.150.400 | 48      | 200           | 12x22         | 150             | 8x18  | 160 | 670    | 315  | 450       | -   | 100 | 200 | 150 | 550       | 450  | M20       | 500  | 140 | M16 | 48        | 110 | 51.5  | 14 | 180 | 350  |
| 200.150.500 | 60      | 200           | 12x22         | 150             | 8x18  | 210 | 670    | 355  | 560       | -   | 100 | 200 | 150 | 550       | 450  | M20       | 500  | 140 | M16 | 60        | 105 | 64    | 18 | 180 | 480  |
| 250.200.250 | 42      | 250           | 12x26         | 200             | 12x22 | 180 | 545    | 315  | 450       | -   | 100 | 200 | 150 | 550       | 450  | M20       | 385  | 110 | M12 | 42        | 110 | 45    | 12 | 140 | 245  |
| 250.200.315 | 48      | 250           | 12x26         | 200             | 12x22 | 180 | 696    | 355  | 450       | -   | 100 | 200 | 150 | 550       | 450  | M22       | 526  | 140 | M16 | 48        | 110 | 51.5  | 14 | 180 | 300  |
| 250.200.400 | 48      | 250           | 12x26         | 200             | 12x22 | 180 | 670    | 355  | 500       | -   | 100 | 200 | 150 | 550       | 450  | M22       | 500  | 140 | M16 | 48        | 110 | 51.5  | 14 | 180 | 390  |
| 250.200.500 | 60      | 250           | 12x26         | 200             | 12x22 | 200 | 670    | 425  | 560       | -   | 120 | 200 | 150 | 660       | 560  | M20       | 500  | 140 | M16 | 60        | 105 | 64    | 18 | 180 | 470  |
| 300.250.315 | 48      | 300           | 12x26         | 250             | 12x26 | 250 | 700    | 400  | 560       | -   | 120 | 260 | 190 | 660       | 560  | M20       | 530  | 140 | M16 | 48        | 110 | 51.5  | 14 | 180 | 420  |
| 300.250.400 | 60      | 300           | 12x26         | 250             | 12x26 | 200 | 715    | 425  | 600       | -   | 130 | 260 | 190 | 800       | 670  | M24       | 545  | 140 | M16 | 60        | 105 | 64    | 18 | 180 | 470  |
| 300.250.500 | 75      | 300           | 12x26         | 250             | 12x26 | 200 | 775    | 475  | 620       | -   | 130 | 260 | 190 | 800       | 670  | M24       | 515  | 140 | M16 | 75        | 105 | 79.5  | 20 | 180 | 620  |
| 300.300.350 | 60      | 300           | 12x26         | 300             | 12x26 | 250 | 710    | 500  | 620       | -   | 160 | 360 | 250 | 840       | 680  | M24       | 535  | 140 | M16 | 60        | 105 | 64    | 18 | 250 | 600  |
| 350.300.400 | 75      | 350           | 16x26         | 300             | 12x26 | 250 | 782    | 475  | 670       | -   | 160 | 360 | 250 | 900       | 750  | M24       | 522  | 140 | M16 | 75        | 105 | 79.5  | 20 | 250 | 670  |
| 350.300.500 | 90      | 350           | 16x26         | 300             | 12x26 | 250 | 1058   | 500  | 720       | -   | 160 | 330 | 250 | 900       | 750  | M24       | 791  | 410 | M16 | 90        | 170 | 95.5  | 25 | 250 | 1200 |
| 500.400.500 | 75      | 500           | 20x26         | 400             | 16x26 | 420 | 782    | 700  | 500       | 510 | 160 | 600 | 500 | 1080      | 920  | M33       | 522  | 140 | M16 | 75        | 105 | 79.5  | 20 | 250 | 1150 |
| 500.500.600 | 90      | 500           | 20x26         | 500             | 20x26 | 355 | 1052   | 800  | 800       | 595 | 160 | 600 | 500 | 1360      | 1200 | M33       | 785  | 410 | M16 | 90        | 170 | 95.5  | 25 | 250 | 2350 |
| 600.600.700 | 125     | 600           | 20x30         | 600             | 20x30 | 500 | 1398.5 | 1050 | 900       | 750 | 185 | 700 | 600 | 1600      | 1450 | M33       | 1091 | 410 | M16 | 125       | 210 | 132.4 | 32 | 350 | 4080 |

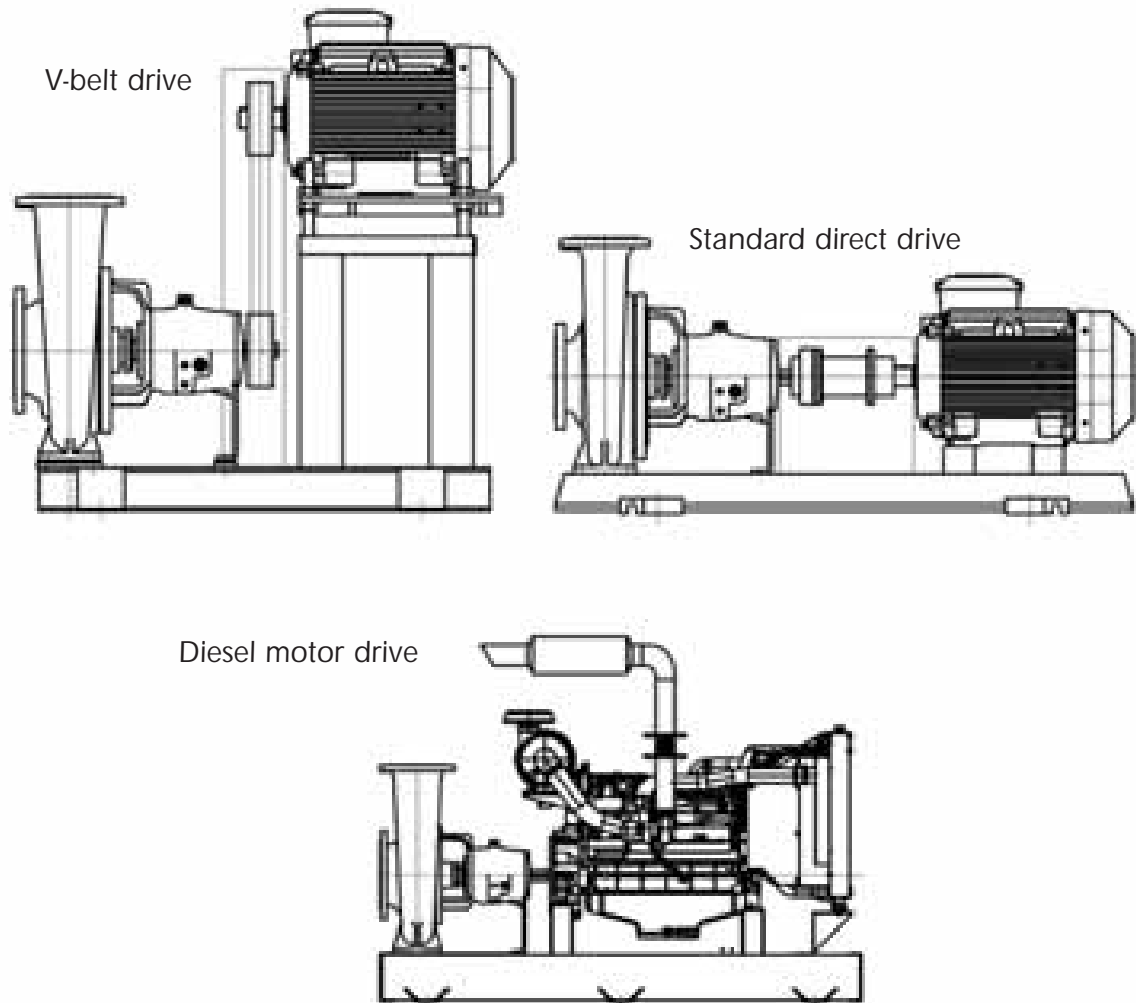
## PERFORMANCE CHART



### MATERIALS OF MAIN PARTS

(other materials available upon request)

| Item | Basic material<br>Main parts | Cast iron | Aisi 316 SS<br>(Z 6CND 17.12) | Cast iron +<br>Aisi 316 SS | Aisi 316L SS<br>(Z 2CND 17.12) | Duplex SS<br>(Uranus 55)<br>(Z 2CNUD 26.5) | Cast iron + Duplex SS<br>(Uranus 55) |
|------|------------------------------|-----------|-------------------------------|----------------------------|--------------------------------|--|--------------------------------------|
| 1112 | CASING                       | Ft 25     | 316                           | Ft 25                      | 316 L                          | U 55                                       | Ft 25                                |
| 2200 | IMPELLER                     | Ft 25     | 316                           | 316                        | 316 L                          | U 55                                       | U 55                                 |
| 2912 | IMPELLER NUT                 | UA9N5fe   | 316 L                         | 316 L                      | 316 L                          | 316 L                                      | 316 L                                |
| 2100 | SHAFT                        | XC 48     | 316 L                         | 316 L                      | 316 L                          | 316 L                                      | 316 L                                |
| 1222 | COVER                        | Ft 25     | 316                           | Ft 25                      | 316 L                          | U 55                                       | Ft 25                                |
| 2450 | SHAFT SLEEVE                 | 100 C6    | 316 L                         | 316 L                      | 316 L                          | 316 L                                      | 316 L                                |
| 1530 | FRONT WEAR PLATE             | Ft 25     | 316                           | 316                        | 316 L                          | U 55                                       | U 55                                 |



## ENSIVAL-MORET International

### ENSIVAL-MORET BELGIUM

Rue Hodister 44  
4860 WEGNEZ-PEPINSTER Belgique  
Tél : ++32-87/46.81.11  
Fax: ++32-87/46.81.00  
E-mail : emwegnez@em-pumps.com

### ENSIVAL-MORET FRANCE

Z.I. du Grillon B.P. 30  
33810 AMBES France  
Tél : ++33-5/56.77.08.78  
Fax: ++33-5/56.77.10.16  
E-mail : embordeaux@em-pumps.com

### ENSIVAL-MORET FRANCE

Chemin des Ponts et Chaussées  
02100 SAINT-QUENTIN France  
Tél : ++33-3/23.62.91.00  
Fax: ++33-3/23.62.02.30  
E-mail : emstquentin@em-pumps.com

### ENSIVAL-MORET DEPLECHIN

Avenue du Maire 28  
7500 TOURNAI Belgique  
Tél : ++32-69/89.00.89  
Fax: ++32-69/89.00.60  
E-mail : emtournai@em-pumps.com

### ENSIVAL-MORET N.V.

Léo Baecklandstraat 7, unit 4  
2950 KAPELLEN Belgique  
Tél : ++32-3/877.61.61  
Fax: ++32-3/877.60.12  
E-mail : emvlaanderen@em-pumps.com

### ENSIVAL-MORET FRANCE

59, avenue du Danemark  
F - 37100 TOURS France  
Tél : ++33-2/47.88.31.31  
Fax: ++33-2/47.41.51.73  
E-mail : emtours@em-pumps.com

### MORET PUMPS SHANGHAI

14 Li Jia Pan, Gu Cao Road,  
Cao Lu town PUDONG NEW ZONE  
SHANGHAI 201209  
PR CHINA  
Tél : ++86-21/58.63.73.63  
Fax: ++86-21/58.63.54.59  
E-mail : emshanghai@em-pumps.com

### ENSIVAL-MORET LYON

1, rue Henri Becquerel  
69320 FEYZIN France  
Tél : ++33-4/72.89.43.33  
Fax: ++33-4/72.89.43.44  
E-mail : emlyon@em-pumps.com

### ENSIVAL-MORET ASIA

9 Tai Seng Drive #02-02  
Geo-Tele Building  
SINGAPORE 535227  
Tél : ++65.281.06.67  
Fax: ++65.281.09.08  
E-mail : moret@pacific.net.sg



<http://www.ensival-moret.com>