

THE INPRO/SEAL® VBXX-D BEARING ISOLATOR

What is a Bearing Isolator?

Simply put, it is a mechanical device that isolates a bearing from its environment, so that the bearing will be kept properly lubricated and uncontaminated throughout its projected design-life.

Why would I use an Inpro/Seal® Bearing Isolator?

By maintaining bearings under ideal (laboratory) operating conditions, rotating equipment will last five to ten times longer than without permanent bearing isolation. Pumps, motors, pillow blocks, fans, gearboxes and turbines are dramatically more reliable and productive. Costs of maintenance and operations go down and productivity goes up.

What makes it work?

The Inpro/Seal® Bearing Isolator is manufactured in two parts; a rotor and a stator. The rotor revolves with the shaft, driven by a tightly fitting drive ring that is fixed to the shaft. It also has a stationary component that is fixed to the bearing housing with a press fit and O-ring gasket. The two pieces are assembled into a single unit and axially locked together by an O-ring insert. There is no mechanical contact between the rotor and stator while the Isolator is running.

What is the function of the internal VBX® O-ring?

When rotating equipment is cycled on and off, the heating and cooling of the bearing enclosure draws contamination from the outside environment into contact with the bearings. The internal Vapor Blocking Ring provides a barrier to contamination, specifically humidity transfer into the bearing enclosure.

How long will an Inpro/Seal® last?

Since there is neither mechanical contact nor friction, heat or wear, the Inpro/Seal® Bearing Isolator will outlast the bearings and other mechanical components of the rotating equipment it is designed to protect. Seven to fifteen years of constant service is not long in the life of an Inpro/Seal® Bearing Isolator.

How do I install an Inpro/Seal®?

We recommend using a hand arbor press to fit the Inpro/Seal® Bearing Isolator stator into the housing cover. It has a .002" diametric interference fit. Don't panic if you shear the outside O-ring gasket. It means you have a secure installation. Press the Bearing Isolator in until the square locating shoulder contacts the housing. Keep it as straight as possible. It can be tapped into perpendicularity with the shaft prior to start-up.

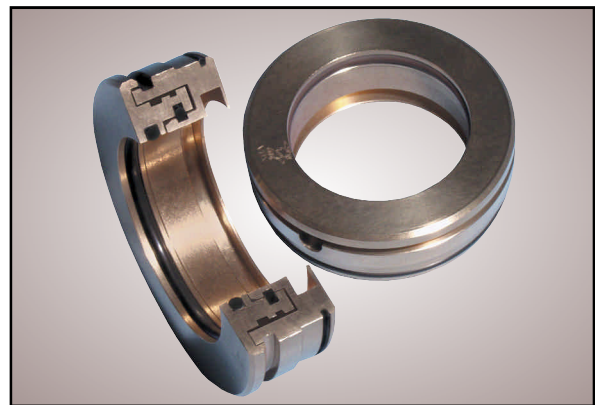
How do I order an Inpro/Seal® "VBXX-D" Bearing Isolator?

Specify the inside, outside and over-all length dimensions. Measure the shaft, the housing bore and distance to first outside obstruction. We suggest making the stator O.D. one inch (or 25.4mm) over the shaft O.D. and an over-all axial length of .900 inches (or 23mm). We will, however, make it to any dimension that is convenient for you. In most cases, even if it is custom designed, it can be shipped the same day you order.

What if I'm not satisfied with my Inpro/Seal® Bearing Isolator?

Inpro/Seal® has an unconditional performance guarantee. If you are not satisfied that it is working to your satisfaction, Inpro/Seal® will either modify the Isolator to your satisfaction or return your purchase price. Your complete satisfaction is important to us.

OVER 1,000,000 INSTALLED
Same Day Shipments



INPRO/SEAL® COMPANY

#1 IN BEARING ISOLATORS

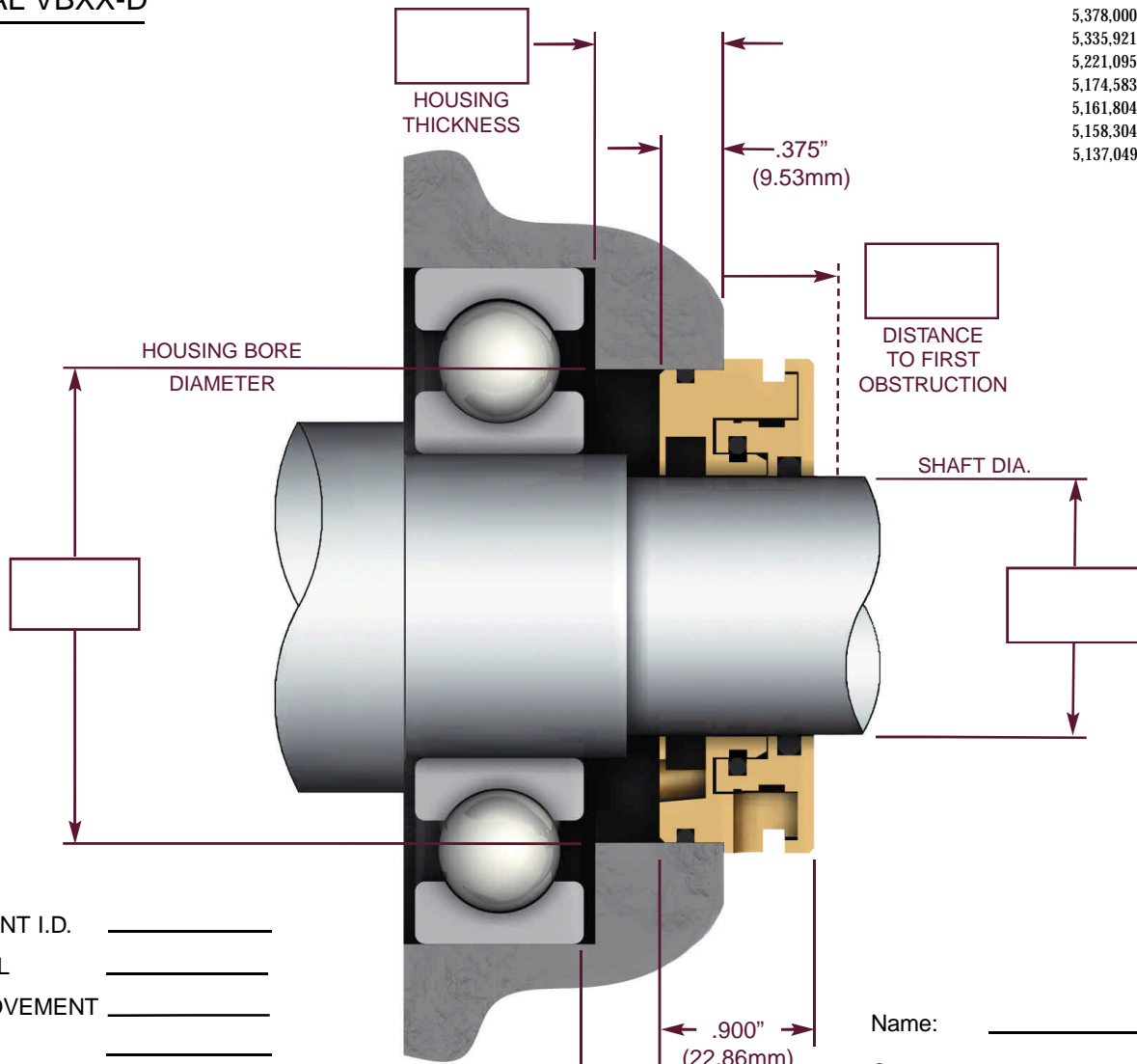
4221-81st Avenue West
Rock Island, IL 61201
Ph: 309.787.4971 • 800.447.0524
Fax: 309.787.6114 • 309.787.6190
e-mail: info@inpro-seal.com



REQUEST FOR QUOTE

.900 OAL VBXX-D

U.S. PATENTS:
 5,378,000 5,074,567
 5,335,921 5,069,461
 5,221,095 4,989,883
 5,174,583 4,832,350
 5,161,804 4,706,968
 5,158,304 4,466,620
 5,137,049 AND OTHERS PENDING



EQUIPMENT I.D. _____

OIL LEVEL _____

AXIAL MOVEMENT _____

RPM _____

BEARING TYPE _____

HORIZONTAL
 VERT-UP (CHECK ONE)
 VERT-DOWN

BRONZE
 303 S.S. (CHECK ONE)
 OTHER

DISTANCE
 TO FIRST
 OBSTRUCTION

Name: _____

Company: _____

Address: _____

Phone: _____

Fax: _____

Best time to contact: _____

**SAME DAY
 SHIPMENTS!**
**OVER 1,000,000
 INSTALLED**



INPRO/SEAL® COMPANY

#1 IN BEARING ISOLATORS

4221-81st Avenue West
 Rock Island, IL 61201
 Ph: 309.787.4971 • 800.447.0524
 Fax: 309.787.6114 • 309.787.6190
 e-mail: info@inpro-seal.com



Visit us on the web: www.inpro-seal.com

#32381-10/11/02