

COMPONENTS KEY
 (standard materials)

01 Stationary ring: graphite antimony impregnated (Z11), reaction bonded silicon carbide (U41), sintered silicon carbide (K31), integral tungsten carbide bound nickel (K21)

02 Rotary ring: reaction bonded silicon carbide (U41), sintered silicon carbide (U31), integral tungsten carbide bound nickel (K21)

09 Rotary ring gasket: fluoroelastomer (V), EPDM (D), FFKM (G720)

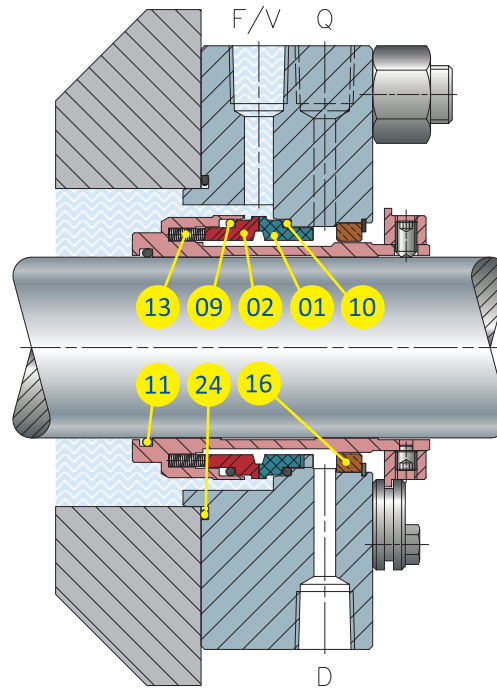
10 Stationary ring gasket: fluoroelastomer (V), EPDM (D), FFKM (G720)

11 sleeve gasket: fluoroelastomer (V), EPDM (D), FFKM (G720)

13 Springs: Hastelloy (I)

16 Bushing: graphite (Z3)

24 Flange gasket: fluoroelastomer (V), EPDM (D), FFKM (G720)



ADVANTAGES

Single cartridge seal complete with flange and sleeve it, is designed in compliance with standard API 682 4th edition. The springs outside of the process make it especially recommended with dirty liquids and with suspended solids. The particularly compact overall size allows easy installation on existing pumps.

Operating limits

DIAMETER [mm]	FROM 20 TO 110
SPEED [m/s]	≤ 23
TEMPERATURE [°C]	FROM -40 TO 176
PRESSURE PROCESS [bar]	FROM VACUUM TO 20

Operating limits differing from those reported can be defined and approved by our Sales Technical Department. The indicated speed and pressure values are not absolute limits but are evaluated by calculating their P V product and also by taking into account the temperature and chemical/physical features of the fluid. For this reason, maximum pressure, speed, temperature and shaft diameter values cannot be combined together.

FEATURES

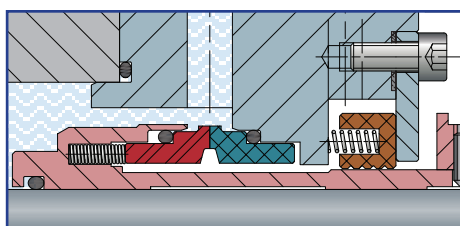
- Standard solution resulting from tested designs and made in compliance with standard API 682 4th edition
- Single cartridge seal, balanced, with flange and fixed bushing
- Dual direction of rotation
- Springs outside the pumped product
- Solid sealing rings
- Tested and unique driving system of the rotary ring, developed to be efficient in case of vibrations, misalignment and wear of the sealing rings
- Connections for flushing, quench and/or drain
- Possibility of sizing the shaft's flange and sleeve according to customer requirement
- Recommended for ANSI horizontal and vertical pumps

RECOMMENDED PLANS

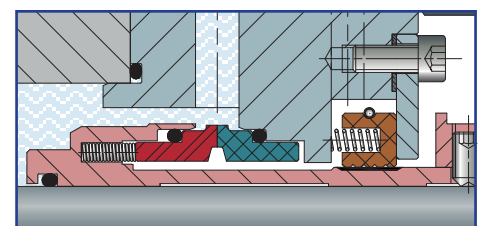
Product side: 01, 02, 03, 11, 12, 13, 14, 21, 22, 23, 31, 32, 41.

Atmosphere side: 61.

(¹) 62, 65A/B, 66A/B.



CB8F version with floating bushing (1CW-FL)



CB8Q version with segmental bushing⁽¹⁾ (1CW-FL)