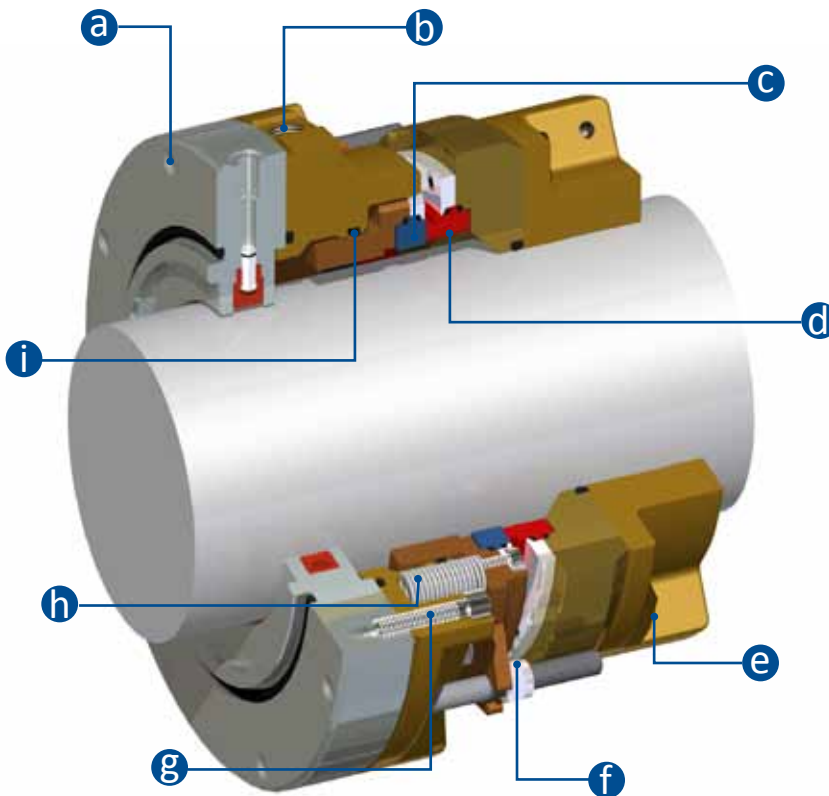


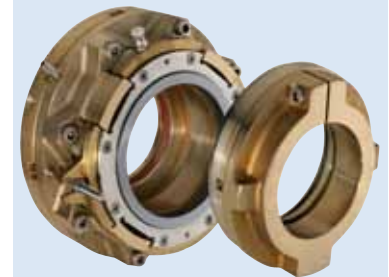
MMS MECHANICAL SEAL

The Fluiten MMS seal is ideal for marine shafts from 100 mm to 300 mm. Equipped with multi springs which guarantee a uniform load and tolerance of axial and radial movement and vibrations. In emergencies, the worn parts of the MMS seal can be replaced with the semi-split component spare-part kit, without dismantling the shaft.



Features

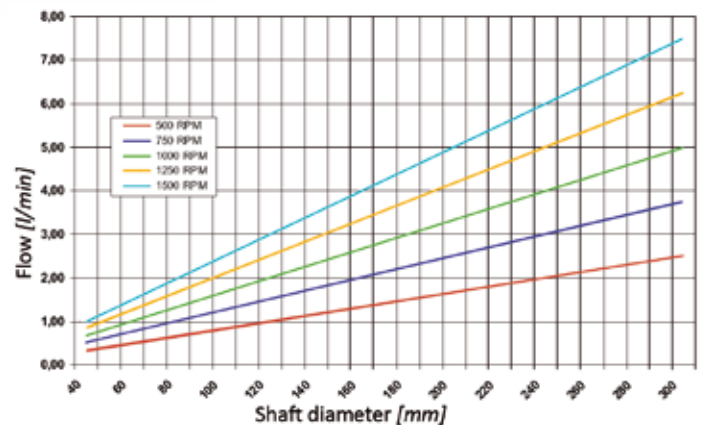
- a) Optional pneumatic security system "IDROSTOP"
- b) Connection for lubrication and cooling
- c) Balanced stationary ring to reduce power absorption
- d) Rotation ring in abrasion resistant anti-wear material
- e) Self-aligning drive collar
- f) Mobile positioners for easier and correct installation
- g) Seal body in marine brass for improved safety and resistance
- h) Springs in AISI 316 to tolerate axial vibrations and sliding
- i) Gaskets in fire-resistant material



Operating Limits

DIAMETER [mm]	FROM 100 TO 300
SPEED [m/s]	≤ 10
TEMPERATURE [°C]	-5 TO 80
PRESSURE [bar]	FROM VACUUM TO 5

Operating conditions which differ from those indicated can be evaluated by our Sales Engineers. Speed and pressure values indicated are not strictly prescribed; they should be determined by calculating their P*V bearing in mind the temperature as well as the physical and chemical characteristics of the sealed fluid.



MEDIUM/LARGE
SHAFTS



HIGH TOLERANCE
OF AXIAL RUN-OUT



NO CATASTROPHIC
FAILURES

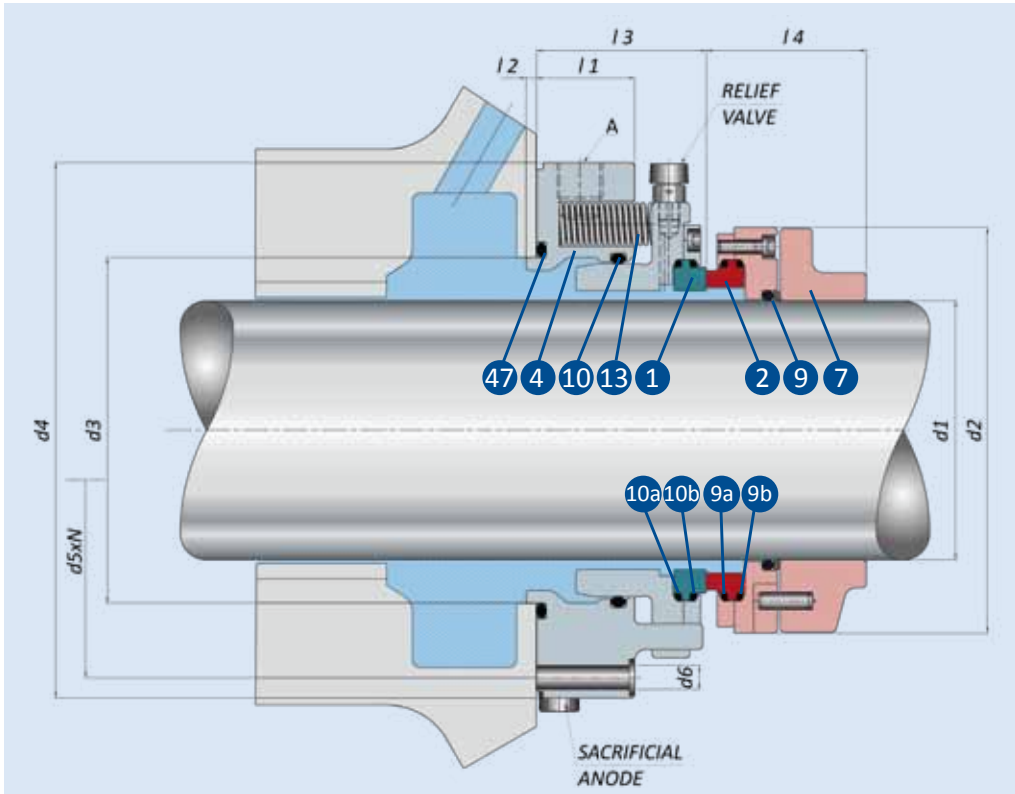


BIDIRECTIONAL SEAL



SPECIAL ANTI-CORROSION
MATERIALS

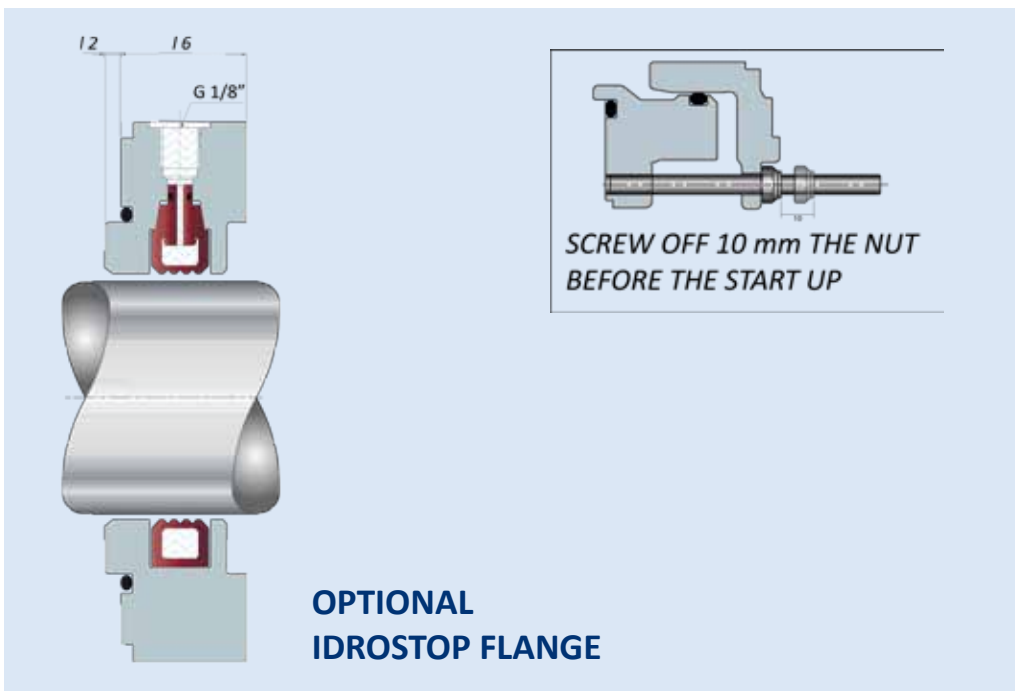
Images and dimensions may differ slightly from those indicated in this brochure



Part list

MMS SEAL

- 1) Stationary ring U41: Silicon Carbide
- 2) Rotating ring Z32: Resin impregnated Graphite
Z12: AISI 316 + Antimonio impregnated Graphite
- 4) Seal body B6: Marine brass
- 7) Drive collar B6: Marine brass
- 9) Rotating ring gasket V/V3: Fluoroelastomer
- 9a) Gasket of rotating ring insert V/V3: Fluoroelastomer
- 9b) Rotating ring gasket V/V3: Fluoroelastomer
- 10) Stationary ring gasket V/V3: Fluoroelastomer
- 10a) Gasket of stationary ring insert V/V3: Fluoroelastomer
- 10b) Gasket of stationary ring insert V/V3: Fluoroelastomer
- 13) Spring E: AISI 316
- 47) Seal body gasket V/V3: Fluoroelastomer



OPTIONAL IDROSTOP FLANGE

d1	d2	d3 H8	d4	d5	N	d6	l1	l2	l3 ±0,5	l4	l6	A	Sliding
100÷124	188	160	248	229	8	11	45,5	5	79	74	30	G 1/2"	+6/-4
125÷149	238	185	285	260	8	13	45,5	5	80	111	31	G 1/2"	+6/-4
150÷174	266	210	310	285	8	13	45,5	5	78	120	38,5	G 1/2"	+6/-4
175÷199	306	250	360	330	8	17	45,5	5	78	141	52,5	G 3/4"	+6/-4
200÷229	350	290	410	380	8	17	54	6	95	147	52,5	G 3/4"	+6/-4
230÷259	380	320	440	410	8	17	54	6	95	147	59,5	G 3/4"	+6/-4
260÷300	425	370	515	475	8	21	62	8	115	176	59,5	G 3/4"	+6/-4

Dimensions are in millimetres. For measurements different to those indicated, please contact our Technical Department at info@fluiten.it