

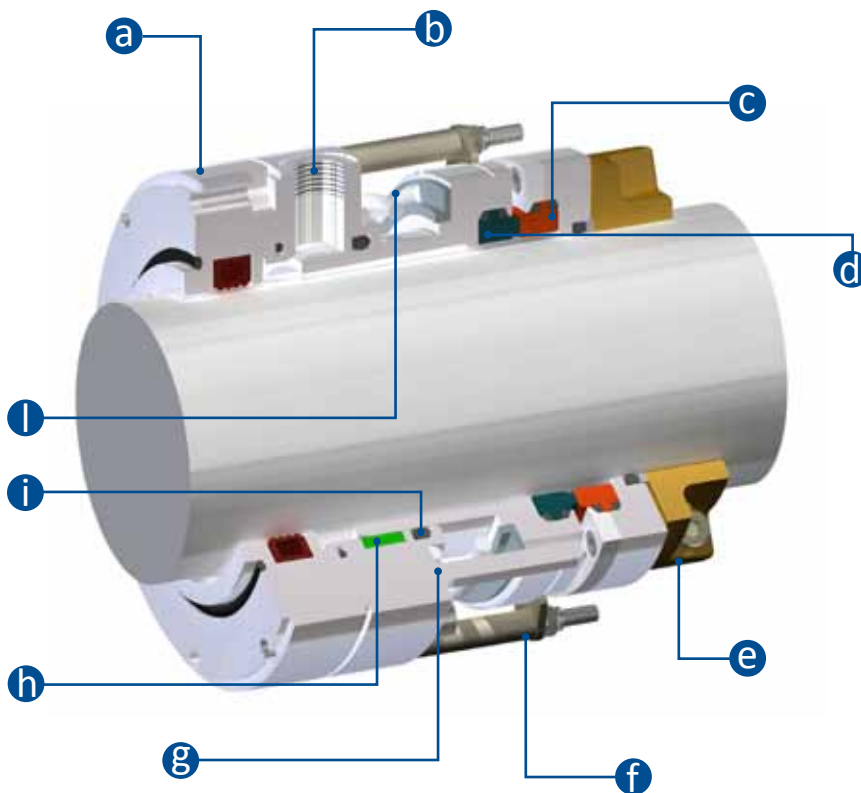
MUV- MUSV MECHANICAL SEALS

The MUV and MUSV models can be installed on shafts from 40mm to 125mm; in these cases the seal ring of the stationary element is in special graphite (Z31) and that of the rotating element is in chrome molybdenum steel (V1) or silicon carbide (U41). On request seals can be certified by any of the major maritime institutions.



Features

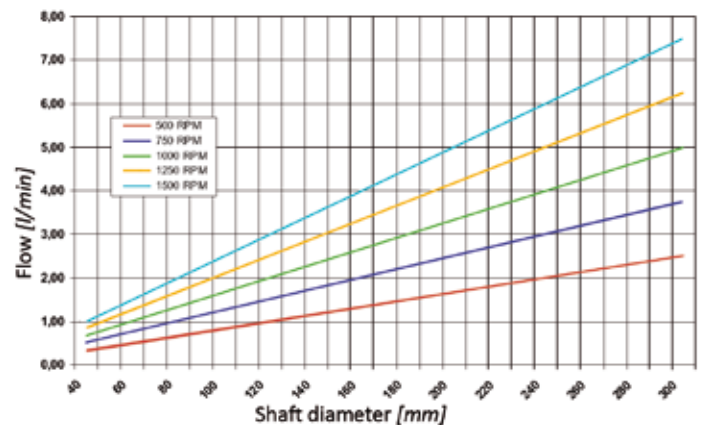
- a) Optional pneumatic security system, IDROSTOP
- b) Lubrication and cooling connection
- c) Rotating ring in anti-wear material for better resistance to abrasion
- d) Balanced stationary ring to reduce power absorption: available also in split version
- e) Self aligning drive collar
- f) Mobile setting plate for easy and correct assembling
- g) Steel body in AISI 316 or marine brass for greater safety and resistance
- h) Fluclean
- i) Fire resistant gasket; also available in split version
- l) Spring in AISI 316 to tolerate vibration and axial run-out



Operating Limits

<b>DIAMETER [mm]</b>	<b>FROM 40 TO 125</b>
<b>SPEED [m/s]</b>	<b>≤ 10</b>
<b>TEMPERATURE [°C]</b>	<b>-5 TO 80</b>
<b>PRESSURE [bar]</b>	<b>FROM VACUUM TO 5</b>

Operating conditions which differ from those indicated can be evaluated by our Sales Engineers. Speed and pressure values indicated are not strictly prescribed; they should be determined by calculating their P\*V bearing in mind the temperature as well as the physical and chemical characteristics of the sealed fluid.



MEDIUM/LARGE SHAFTS



HIGH TOLERANCE OF AXIAL RUN-OUT



NO CATASTROPHIC FAILURES



BIDIRECTIONAL SEAL

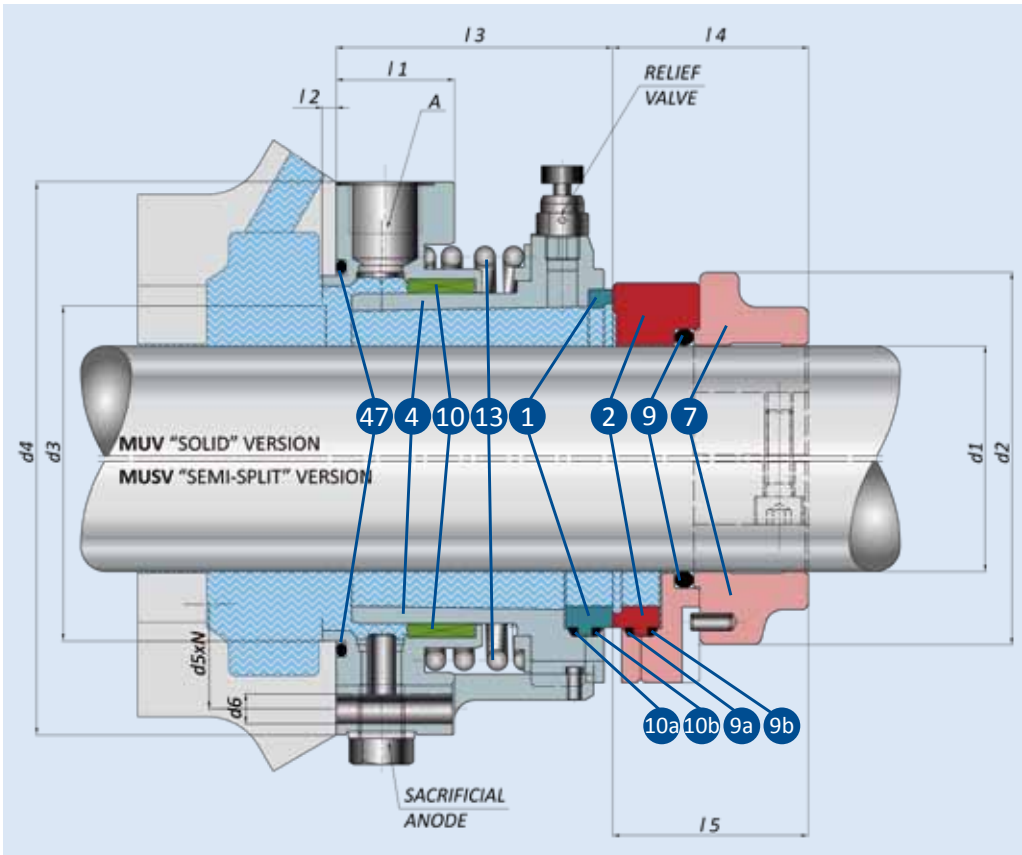


SPECIAL ANTI-CORROSION MATERIALS



FLUCLEAN

Images and dimensions may differ slightly from those indicated in this brochure



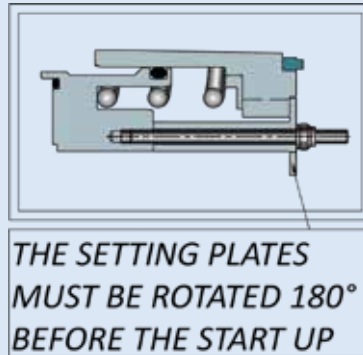
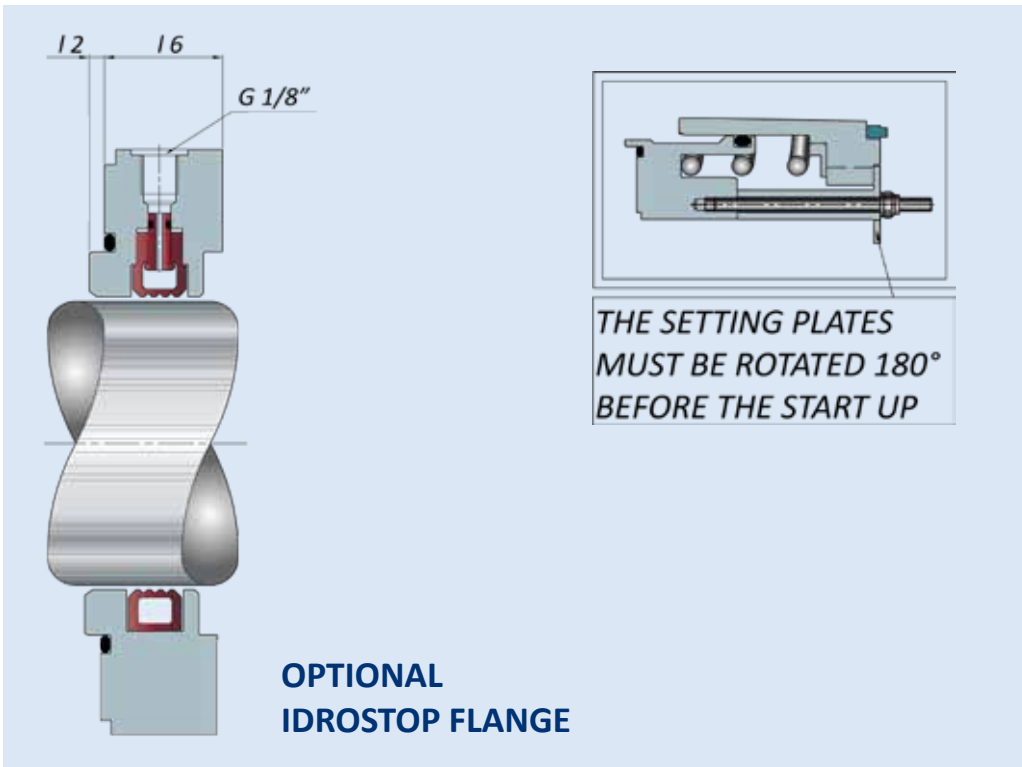
## Part list

### MUV SEAL

- 1) Stationary ring  
Z32: Resin impregnated Graphite  
Z12: AISI 316 + Antimonio impregnated Graphite
- 2) Rotating ring  
Y1: Chrome steel  
U31: Silicon Carbide
- 4) Seal body  
E: AISI 316  
B6: Marine brass
- 7) Drive collar  
B6: Marine brass  
E: AISI316
- 9) Rotating ring gasket  
V/V3: Fluoroelastomer
- 10) Stationary ring gasket  
V/V3: Fluoroelastomer
- 13) Spring  
E: AISI 316
- 47) Seal body gasket  
V/V3: Fluoroelastomer

### MUSV SEAL

- 1) Stationary ring  
U41: Silicon carbide
- 2) Rotating ring  
Z31: AISI 316 + Graphite
- 4) Seal body  
E: AISI 316  
B6: Marine brass
- 7) Drive collar  
E: AISI 316  
B6: Marine brass
- 9) Rotating ring gasket  
V/V3: Fluoroelastomer
- 9a) Gasket of rotating ring insert  
V/V3: Fluoroelastomer
- 9b) Gasket of rotating ring insert  
V/V3: Fluoroelastomer
- 10) Stationary ring gasket  
V/V3: Fluoroelastomer
- 10a) Gasket of stationary ring insert  
V/V3: Fluoroelastomer
- 10b) Gasket of stationary ring insert  
V/V3: Fluoroelastomer
- 13) Spring  
E: AISI 316
- 47) Seal body gasket  
V/V3: Fluoroelastomer



### OPTIONAL IDROSTOP FLANGE

d1	d2	d3 H8	d4	d5	N	d6	I1	I2	I3 ±0,5	I4	I5	I6	A	Sliding
040÷050	84	85	135	120	4	8,5	26	4	74	39	46	20	3/8"	+10/-8,5
055÷070	107	105	159	144	4	8,5	34	4	79,5	46	56	20	1/2"	+10/-8,5
075÷095	140	115	175	162	4	8,5	33	4	103,5	56	59	31	1/2"	+10/-8,5
096÷125	175	160	224	209	8	8,5	44	5	109,5	61	74	30	1/2"	+10/-8,5

Dimensions are in millimetres. For measurements which differ from those indicated, contact our Technical Department at info@fluiten.it