

CAT 2 and 3 - TYPE B - TR6D/T

COMPONENTS KEY (standard materials)

01 Stationary ring: reaction bonded silicon carbide (U41), sintered silicon carbide (U31)

01A Stationary ring: reaction bonded silicon carbide (U41), sintered silicon carbide (U31), integral tungsten carbide bound nickel (U21)

02 Rotary bellows
AISI316+Hastelloy (xl)

integral rotary ring: graphite antimony impregnated (Z11)

02A Rotary bellows
AISI316+Hastelloy (xl) and *inserted rotary ring:* graphite antimony impregnated (Z12), inserted reaction bonded silicon carbide (U32), inserted tungsten carbide bound nickel (K22)

09 Rotary ring gasket:
fluoroelastomer (V), EPDM (D), FFKM (G720)

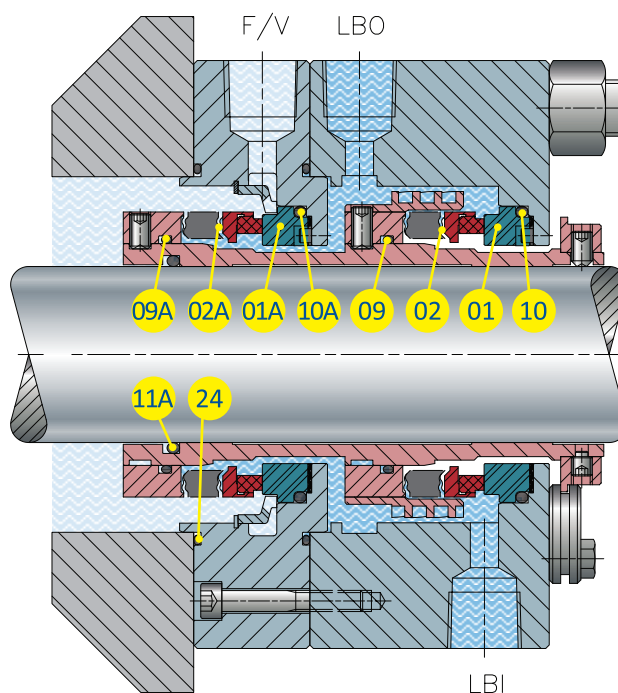
09A Rotary ring gasket:
fluoroelastomer (V), EPDM (D), FFKM (G720)

10 Stationary ring gasket:
fluoroelastomer (V), EPDM (D), FFKM (G720)

10A Stationary ring gasket:
fluoroelastomer (V), EPDM (D), FFKM (G720)

11A Sleeve gasket:
fluoroelastomer (V), EPDM (D), FFKM (G720)

24 Flange gasket:
fluoroelastomer (V), EPDM (D), FFKM (G720)



ADVANTAGES

Dual cartridge seal in compliance with standard API 682 4th edition in face-to-back version.

The balanced dual cartridge solution is ideal for arrangement 2 and 3 or with auxiliary fluid at atmospheric pressure (buffer) TR6T or pressurised (barrier) TR6D. The two versions are particularly suitable for toxic or polluting fluids that crystallize when in contact with the atmosphere or in case of no external washing; the rotary bellows prevents the problem of spring and dynamic O-ring packing and tolerates axial and radial movements.

FEATURES

- Standard solution resulting from tested designs and made in compliance with standard API 682 4th edition
- Balanced dual cartridge solution suitable for arrangement 2 and 3
- Rotary metal bellows and flange with fixed bushing
- Uniform distribution system of multipoint injection flushing on the product side seal
- The bellows solution in Category 2, with O-rings as secondary gaskets
- Efficient circulation device of the auxiliary liquid
- Connection for flushing or vent and in-out for auxiliary liquid
- Possibility of sizing the shaft flange and sleeve according to customer request
- Recommended for API horizontal and vertical pumps

RECOMMENDED PLANS

TR6T: *product side:* 01, 02, 03, 11, 12, 13, 14, 21, 22, 23, 31, 32, 41.
Atmosphere side: 52, 55.

TR6D: *product side:* 01, 02, 03, 11, 12, 13, 14, 21, 22, 23, 31, 32, 41.
Atmosphere side: 53A/B/C, 54.

Operating limits

DIAMETER [mm]	FROM 20 TO 110
SPEED [m/s]	≤ 23
TEMPERATURE [°C]	FROM -60 TO 176
PRESSURE PROCESS [bar]	FROM VACUUM TO 40

Operating limits differing from those reported can be defined and approved by our Sales Technical Department. The indicated speed and pressure values are not absolute limits but are evaluated by calculating their P V product and also by taking into account the temperature and chemical/physical features of the fluid. For this reason, maximum pressure, speed, temperature and shaft diameter values cannot be combined together.